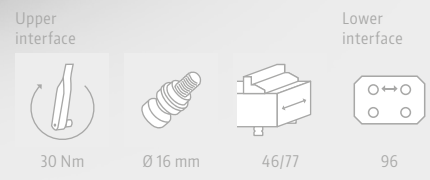


# Quick·Point® Tri·Top 3-face tombstone



- MAXIMUM STABILITY
- INCREASED MACHINE RUN TIME
- IDENTICAL CONTOURS

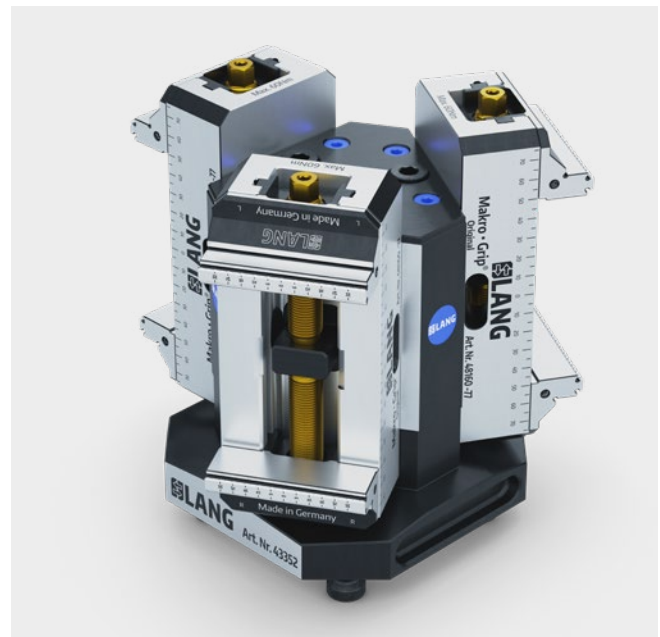
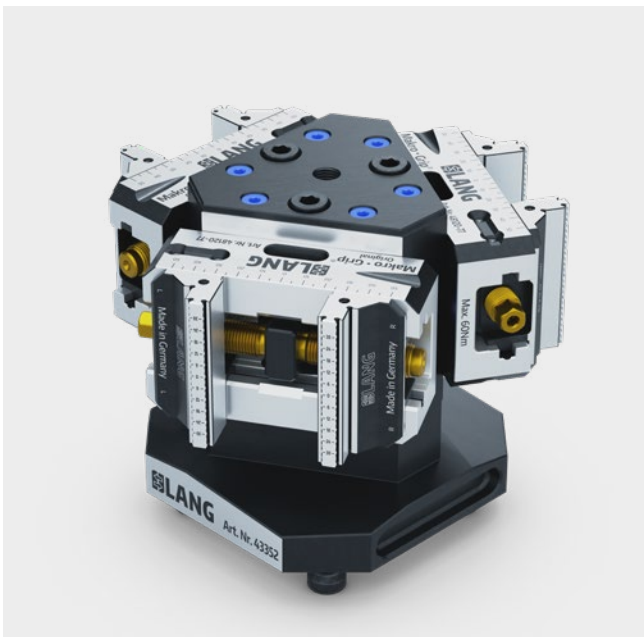
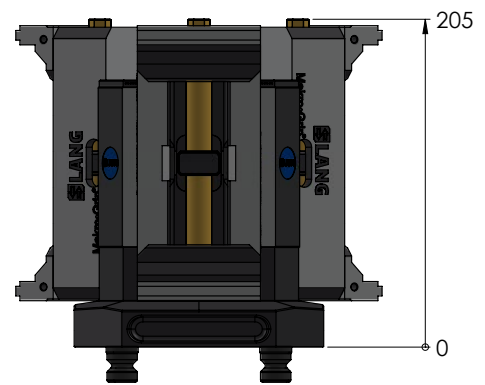
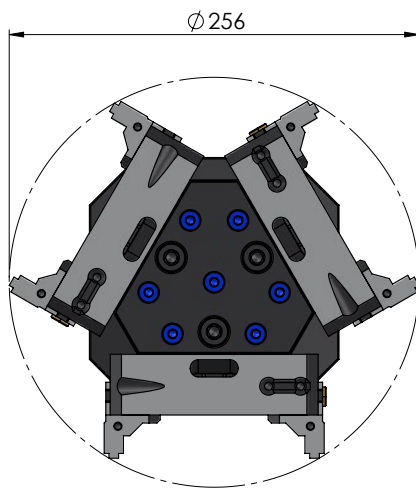
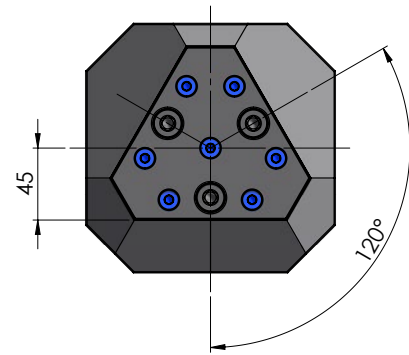
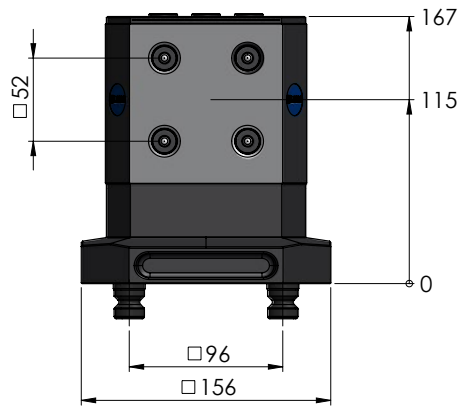
Back  
by popular  
demand!



## QUICK·POINT® TRI·TOP, 3-FACE TOMBSTONE

| ITEM NO. | DIMENSIONS         | WEIGHT  |
|----------|--------------------|---------|
| 43352    | 156 × 156 × 167 mm | 10,0 kg |

The Tri-Top returns in a fresh design! With its **sturdy steel base body**, the 3-face tombstone is a guarantee for maximum precision. Despite its robustness, the Tri-Top remains handy and has the same interference contours as its predecessor. The 3-fold zero point mounting, suitable for Makro-Grip® 46 and 77, **reduces downtimes and tool changes** in milling operations.



With horizontal mounting, three Makro-Grip® 77 5-Axis Vises with a maximum length of 130 mm can be clamped in the Tri-Top (left). Clamped vertically, a maximum vise length of 170 mm is possible (right). Shorter lengths and smaller sizes can of course also be used.