



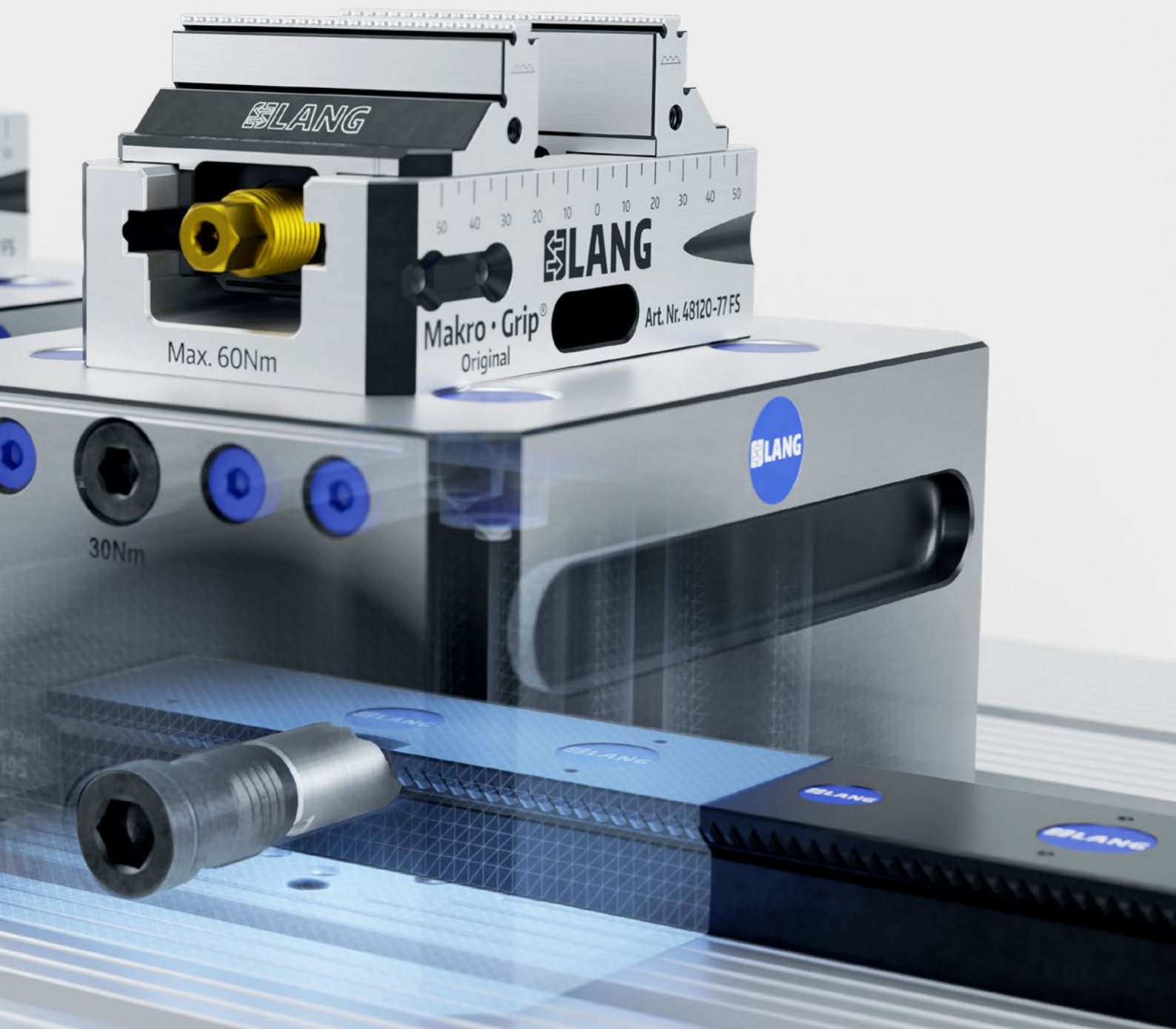
Quick-Point® Rail

PATENT PENDING

Right on track with an all new zero point concept

The Quick-Point® Rail system impresses with its enormously diverse range of applications combined with outstanding cost efficiency. Especially when used on pallet automation systems, large 3-axis tables and clamping bridges, it ensures drastic savings, as it does not require a zero point base plate at

all. Set-up speed and flexibility are once again key with Quick-Point® Rail! The seamless lining up of the clamping bars enables variable positioning of the zero point units in 4 mm increments – extremely fast and with high repeatability.



→ **Extremely variable clamping possibilities**

thanks to flexible arrangement of the zero point units on the clamping bar

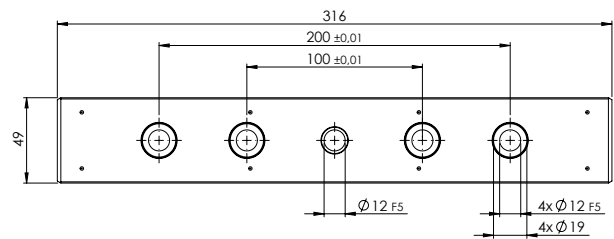
→ **Start directly, without preparation**

as machine tables / pallets do not have to be modified / drilled

→ **Outstanding cost efficiency**

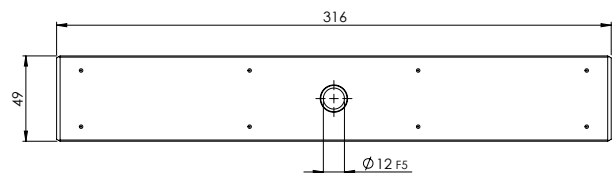
since no base plates are required

Quick-Point® Rail Clamping bar



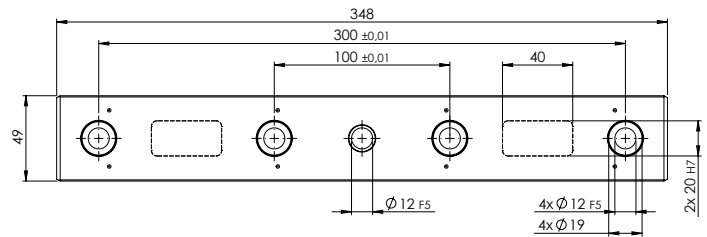
QUICK-POINT® RAIL, CLAMPING BAR WITH MOUNTING BORES

ITEM NO.	DIMENSIONS	MOUNTING BORES	WEIGHT
73315	316 × 49 × 25 mm	4 × for M10 / M12 at a distance of 50 mm	2,4 kg



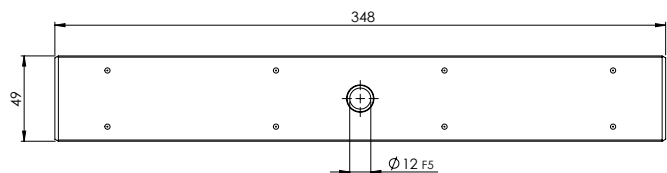
QUICK-POINT® RAIL, CLAMPING BAR WITHOUT MOUNTING BORES

ITEM NO.	DIMENSIONS	WEIGHT
73310	316 × 49 × 25 mm	2,6 kg
45004	Set mounting bores according to customer's request	
45002	Set keyways according to customer's request	



QUICK-POINT® RAIL, CLAMPING BAR WITH MOUNTING BORES

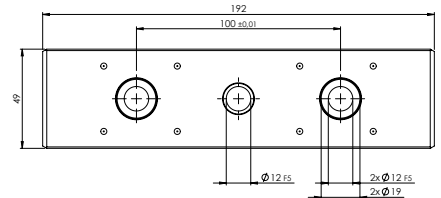
ITEM NO.	DIMENSIONS	MOUNTING BORES	KEYWAYS	WEIGHT
73345	348 × 49 × 25 mm	4 × for M10 / M12 at a distance 100 mm	2 × 20H7	2,6 kg



QUICK-POINT® RAIL, CLAMPING BAR WITHOUT MOUNTING BORES

ITEM NO.	DIMENSIONS	WEIGHT
73340	348 × 49 × 25 mm	2,7 kg
45004	Set mounting bores according to customer's request	
45002	Set keyways according to customer's request	

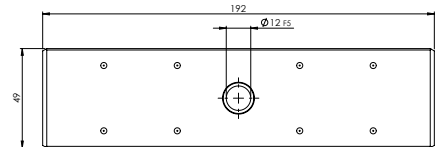
Quick-Point® Rail Extension bar



QUICK-POINT® RAIL, EXTENSION BAR WITH MOUNTING BORES

ITEM NO.	DIMENSIONS	MOUNTING BORES	WEIGHT
73195	192 × 49 × 25 mm	2 × for M10 / M12 at a distance of 100 mm	1,4 kg

Extension bars are to be used exclusively as a supplement to clamping bars and can be extended to the left and right of the latter as required.



QUICK-POINT® RAIL, EXTENSION BAR WITHOUT MOUNTING BORES

ITEM NO.	DIMENSIONS	WEIGHT
73190	192 × 49 × 25 mm	1,5 kg
45004	Set mounting bores according to customer's request	
45002	Set keyways according to customer's request	

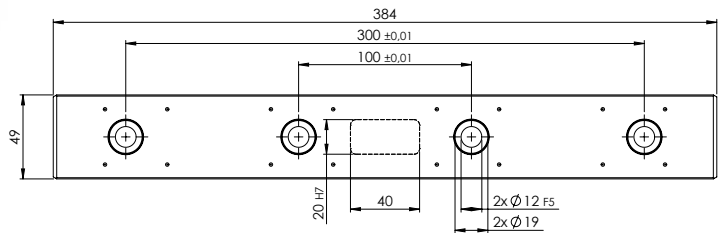
The extension bars are to be used exclusively as a supplement to the clamping bars and can be extended to the left and right of the latter as required.



QUICK-POINT® RAIL, CONNECTOR

ITEM NO.	QTY
73701	1 pc.

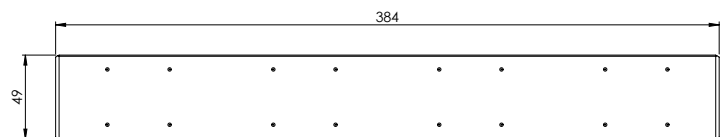
Connectors are required whenever clamping and extension bars are to be joined together.



QUICK-POINT® RAIL, EXTENSION BAR WITH MOUNTING BORES

ITEM NO.	DIMENSIONS	MOUNTING BORES	KEYWAYS	WEIGHT
73385	384 × 49 × 25 mm	4 × for M10 / M12 at a distance 100 mm	1 × 20H7	3,0 kg

This extension bar is to be used exclusively as a supplement to the clamping bars (item no. 73340 / 73345) and can be extended to the left and right of these as desired.

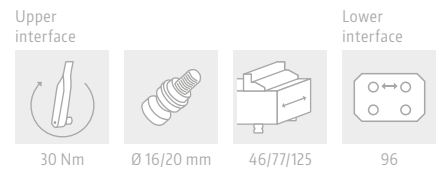


QUICK-POINT® RAIL, EXTENSION BAR WITHOUT MOUNTING BORES

ITEM NO.	DIMENSIONS	WEIGHT
73380	384 × 49 × 25 mm	3,2 kg
45004	Set mounting bores according to customer's request	
45002	Set keyways according to customer's request	

This extension bar is to be used exclusively as a supplement to the clamping bars (item no. 73340 / 73345) and can be extended to the left and right of these as desired.

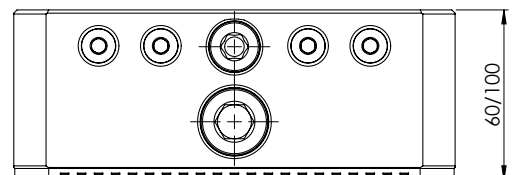
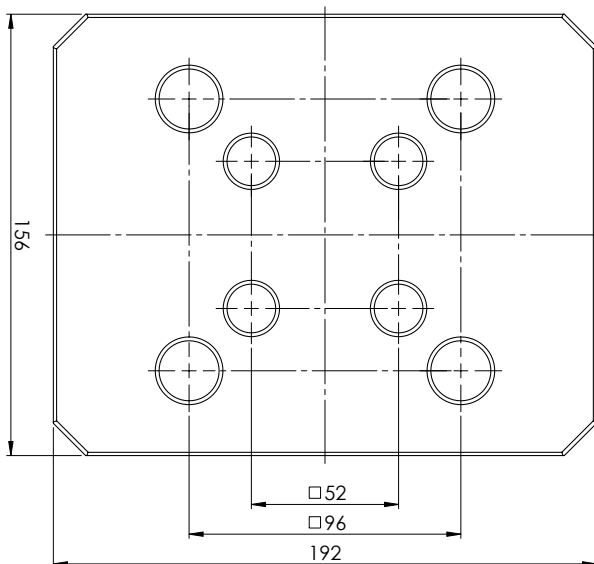
Quick-Point® Rail 5-axis combi riser



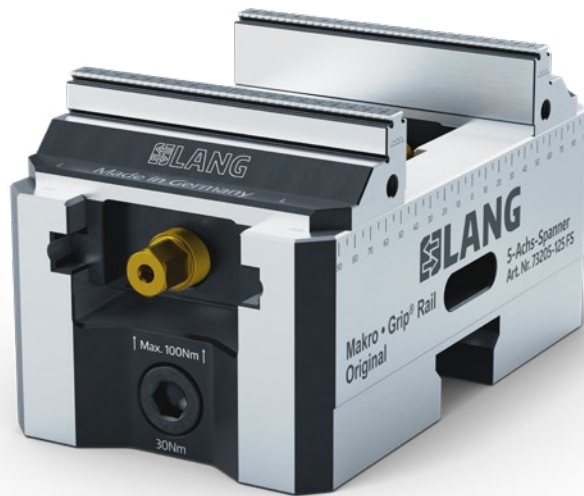
QUICK-POINT® RAIL, 5-AXIS COMBI RISER

ITEM NO.	DIMENSIONS	WEIGHT
73486	192 × 156 × 60 mm	10,4 kg
73487	192 × 156 × 100 mm	18,6 kg

Possible as an option: Attachment of 4 × Quick-Point® clamping studs Ø 20 mm for mounting in the Quick-Point® 96 zero point system (not included!).

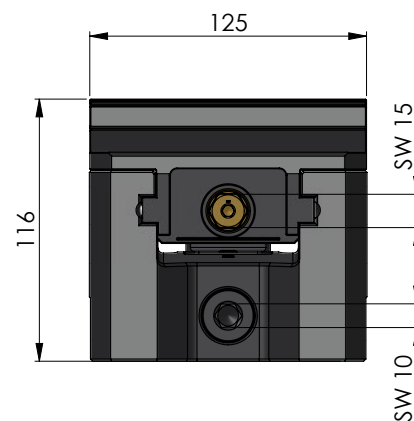
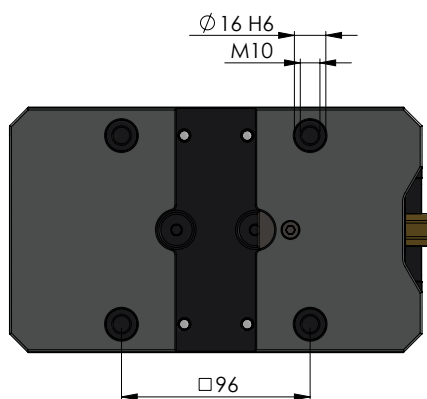
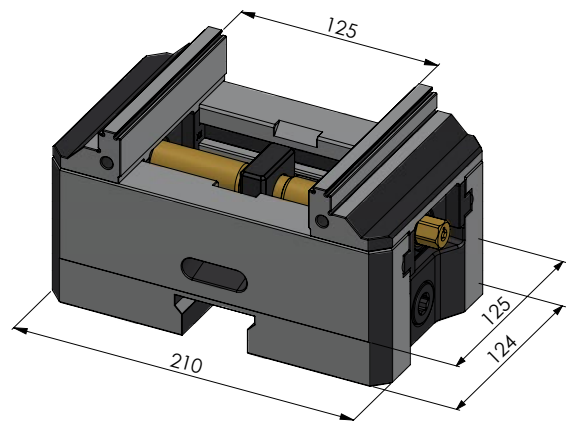
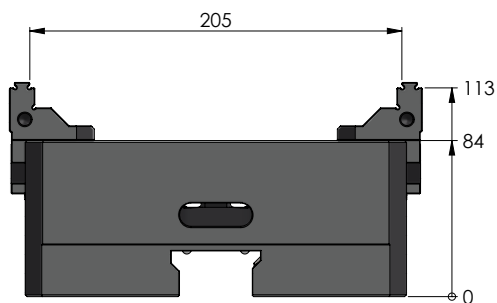


Makro·Grip® 125 Rail 5-Axis Vise

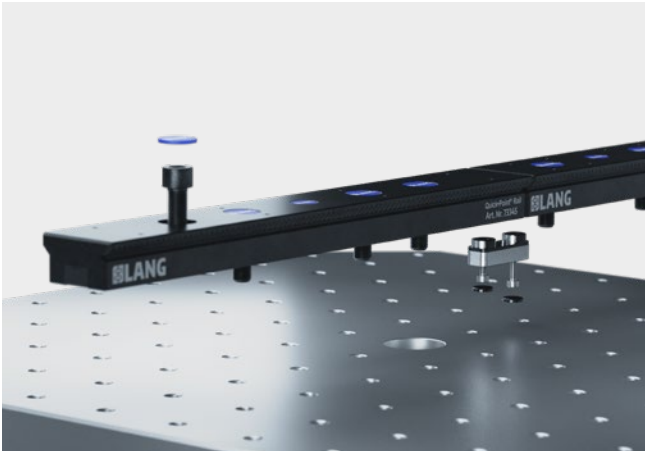


MAKRO·GRIP® 125 RAIL, 5-AXIS VISE JAW WIDTH 125 MM

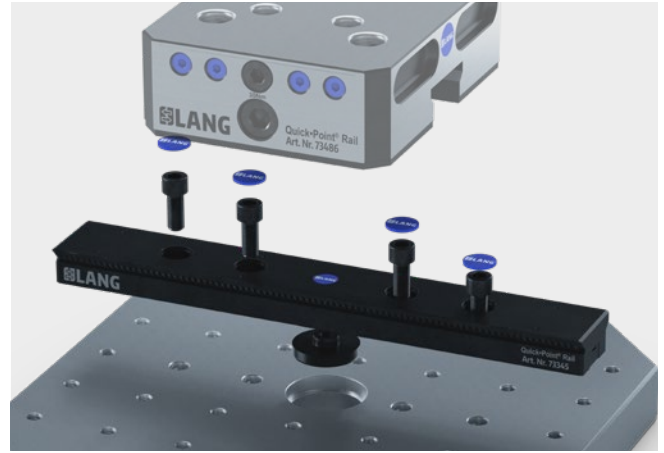
ITEM NO.	SERRATION TYPE	BASE LENGTH	CLAMPING RANGE	WEIGHT
73205-125 FS	full serration	210 mm	0 – 205 mm	14,7 kg



Flexible arrangements of zero point units on the clamping bars



Extension bars can be added to the left and right of a clamping bar. A continuous 4 mm grid is created across both bars, which allows the risers to be moved flexibly.



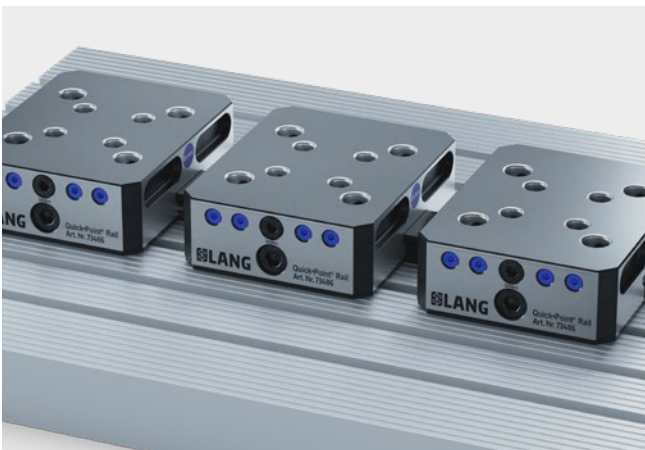
No pre-drilling of the pallet or machine table. Clamping bars can be screwed down directly. Centered alignment in the middle is also possible.



1× clamping bar 348 mm with 2× combi risers on t-slot table.



1× clamping bar 348 mm with 1× centered combi riser on pallet table with 50 mm bore hole grid.



1× clamping bar 192 mm + 1 clamping bar 348 mm with 3× combi risers on 3-axis slot table.



1× clamping bar 348 mm with 2× combi risers on pallet table with 50 mm bore hole grid.

Quick·Point® Rail – Application examples

