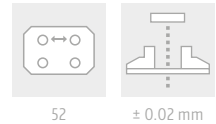
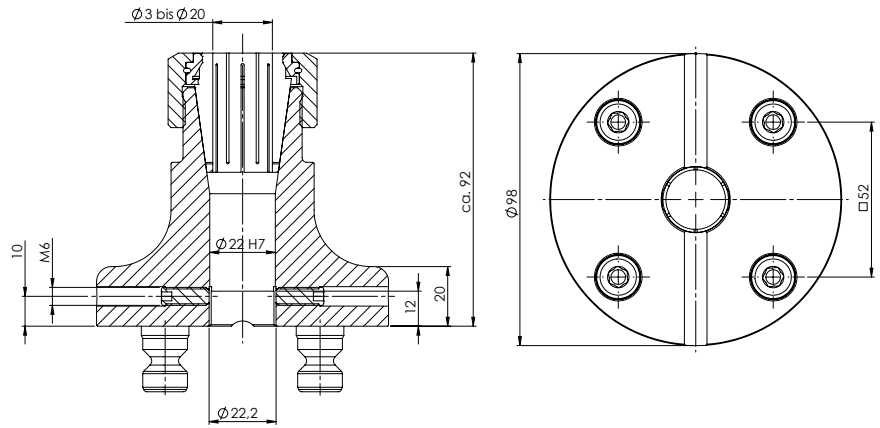


Preci-Point Collet Chuck

The collet chuck with ideal accessibility for milling round parts



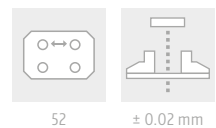
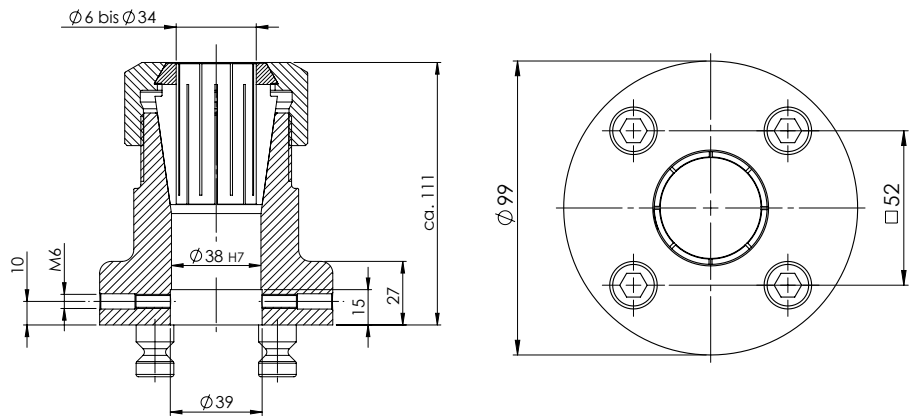
- 1 Suitable for commercially available collets type ER 32 (clamping range \varnothing 3 – 20 mm) and ER 50 (clamping range \varnothing 6 – 34 mm)
- 2 M6 tapped hole to use an endstop
- 3 Robust, case-hardened and coated base body
- 4 Equipped with clamping studs for precise clamping in the Quick-Point® zero-point clamping system
- 5 Recess as a coolant drainage



PRECI-POINT COLLET CHUCK FOR ER 32

ITEM NO.	DIMENSIONS	CLAMPING RANGE	WEIGHT
41032	Ø 98 × 92 mm	Ø 3 - 20 mm	2.0 kg

Included: 4 × Quick-Point® clamping studs Ø 16 mm and screwcap.



PRECI-POINT COLLET CHUCK FOR ER 50

ITEM NO.	DIMENSIONS	CLAMPING RANGE	WEIGHT
41052	Ø 99 × 111 mm	Ø 6 - 34 mm	2.9 kg

Included: 4 × Quick-Point® clamping studs Ø 16 mm and screwcap.



PRECI-POINT CLAMPING WRENCH

ITEM NO.	FOR PRECI-POINT
41032-03	ER 32
41052-03	ER 50